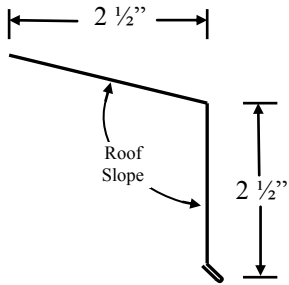
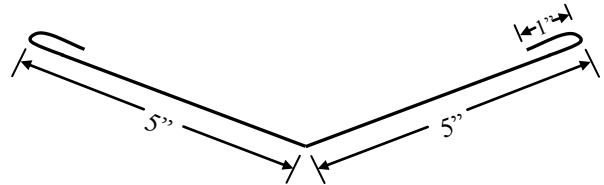


Trim Details

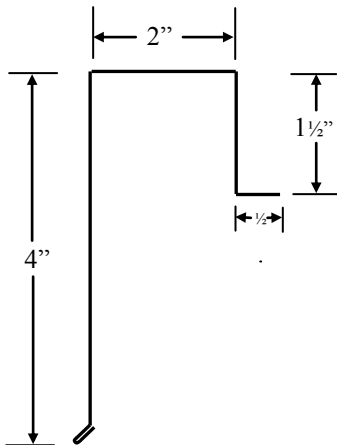
Drip Metal



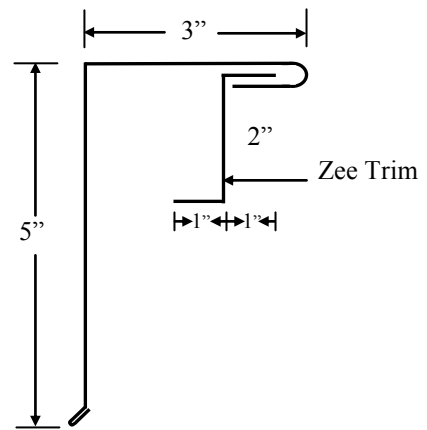
Valley Flashing



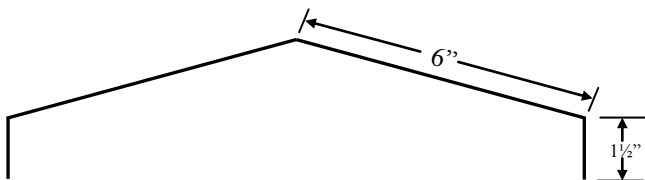
Rake/Gable Trim (High Slope)



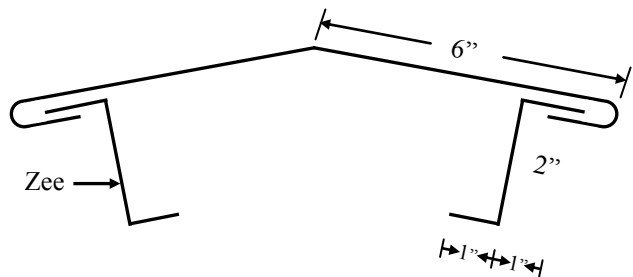
Rake/Gable Trim (Low Slope)



Ridge Cap (High Slope)

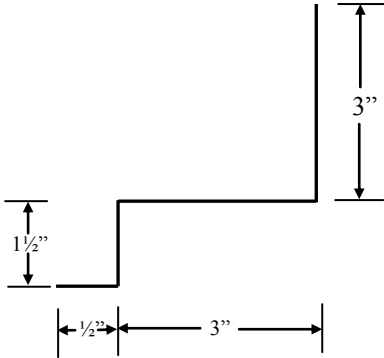


Ridge Cap (Low Slope)

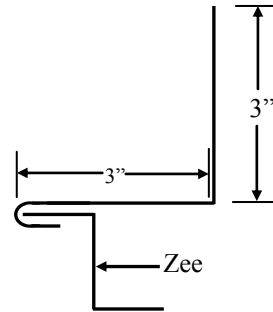


Trim Details

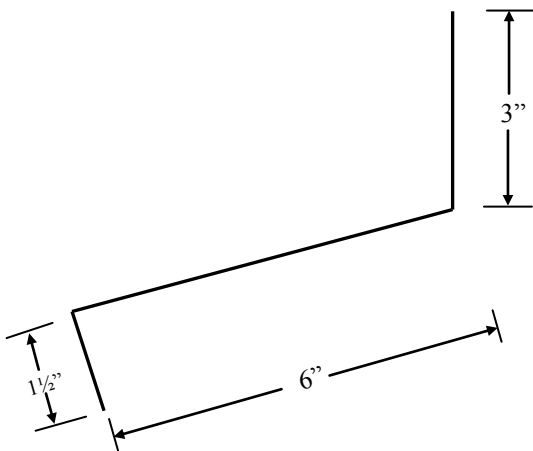
Parallel Transition (High Slope)



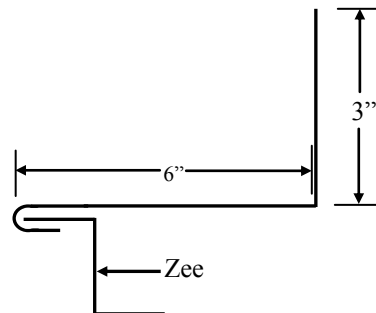
Parallel Transition (Low Slope)



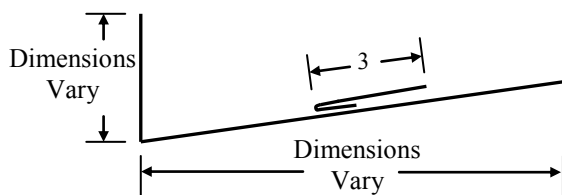
Perpendicular Transition (High Slope)



Perpendicular Transition (Low Slope)



Headwall & Lock Strip



Stucco Stop Detail with Parallel and Perpendicular Transition

